

142.5*210MM

封底

封面

封2(目录)

封3



Smart UV Sterilizer
UVS-01






Please read the instruction manual carefully before using this product!
This product is only used in family or similar places.

Indexes

1.English 03

01

Model	Control time (min)	Disinfection rate (%)	Workload (pieces/h)	Workload value (pieces)
Esteronmax 1000	1	2.1*10 ⁷	8.4*10 ²	99.98
	2	2.3*10 ⁷	1.0*10 ³	99.96
	3	2.2*10 ⁷	9.1*10 ²	99.96
SteriPhosceon alpha ATCC 12221	1	1.9*10 ⁷	6.8*10 ²	99.96
	2	2.0*10 ⁷	6.6*10 ²	99.97
	3	1.6*10 ⁷	5.5*10 ²	99.96
SteriPhosceon alpha ATCC 12221	1	2.0*10 ⁷	1.6*10 ³	99.98
	2	9.4*10 ⁶	1.4*10 ³	99.98
	3	9.0*10 ⁶	1.3*10 ³	99.98
SteriPhosceon alpha ATCC 12221	1	1.8*10 ⁷	1.6*10 ³	99.91
	2	1.9*10 ⁷	1.5*10 ³	99.92
	3	1.2*10 ⁷	1.3*10 ³	99.92
Pseudomonas aeruginosa ATCC 27077	1	2.2*10 ⁷	1.2*10 ³	99.92
	2	2.3*10 ⁷	1.6*10 ³	99.92
	3	2.1*10 ⁷	1.6*10 ³	99.92
Salmonella enteritidis NCTC 12229	1	2.5*10 ⁷	1.6*10 ³	99.84
	2	2.4*10 ⁷	1.5*10 ³	99.84
	3	2.4*10 ⁷	1.6*10 ³	99.94

02

Product introduction

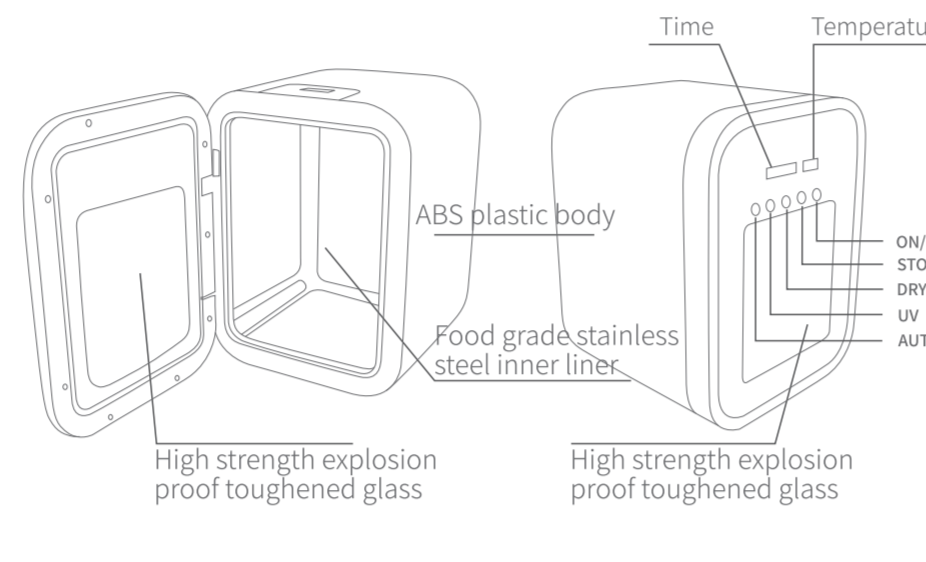
Legit baby bottle uv sterilizer and dryer disinfection by UV, UV can instantly destroy bacteria in the DNA and RNA molecular structure. Quick and accurate disinfection! Equipped with [UV] [DRY] [AUTO] [STORAGE] four major functions, 360 degrees comprehensive disinfection, comprehensive protection of the baby's health.

Product parameter

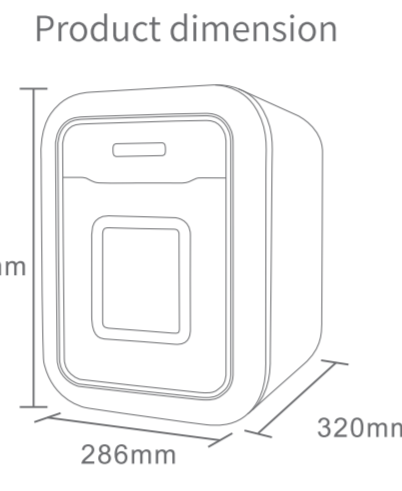
Name	Baby Bottle UV Sterilizer
Model	BS-U07
Capacity	16L
Rated voltage / frequency	220V~/50Hz
Rated power	180W

03

Product part name

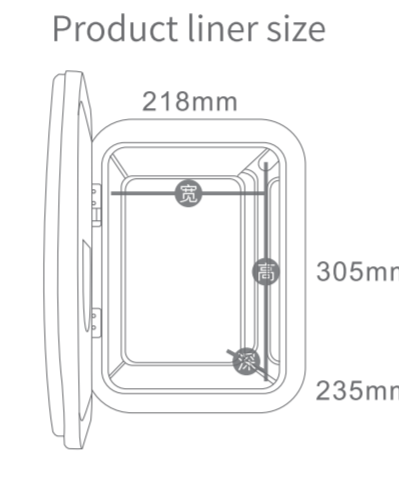


Product dimension



370mm
286mm
320mm

Product liner size



218mm
305mm
235mm

04

Functional characteristics

Smart key operation

- AUTO - dry for 40 minutes + uv for 10 minutes
- DRY - drying 40 - 60 minutes (adjustable)
- UV - uv for 5-15 minutes
- STORAGE - uv every two hours for 1 minutes
- ON / OFF - start and stop of operation

PHILIPS UV tube

- PHILIPS tube using ultraviolet working principle, high efficiency sterilization, the service life of up to 8000 hours, the sterilization rate as high as 99.99%.

Advantages of UV disinfection devices:

- bacteria removal rate as high as 99.99%
- no two pollution
- low management costs
- easy installation and operation
- safe and reliable operation

Applicable baby products

- bottles, cups, cutlery, fruit knives, toothbrushes, toys, thermometers, nipples, etc.



05

Instructions for prior use of the product

Please read carefully before using this product so as to avoid unnecessary damage.

When the product is in normal use or idle, it is more than 1.5 meters away from the water source and the kindling.

Clean with a damp cloth wipe, ban rise water.

Grounding power outlets must be used, and the outlets must be grounded reliably.

The outlet must be checked before each product is used.

When you turn on an ultraviolet lamp, don't watch and touch the UV lamp for too long, so as not to bring any harm.

Use of power other than AC 220V is prohibited. Otherwise, it can cause electric shock and fire.

No damage to power cord or power plug or when the power jack is loose.

When pulling out the power plug, always hold the plug and don't pull the cord!

If the product is out of order, you should ask a full-time staff member to change it so as to avoid damage.

When the appliance is working, try to put it where the child can not touch it, so as to avoid accidents.

This appliance shall not be used directly in bathrooms, showers, or swimming pools.

This appliance should not be placed where the slope is greater than 15 degrees.

06

Product usage

Plug in the power and the product is in standby mode. Bottles, bowls, cups and other devices placed in the UV sterilizer.

- Dry and UV operations:** After plugging in the power supply, under the standby state, press the "AUTO" mode of the product glass panel, then press "start / stop ON/OFF", start drying for 40 minutes, and disinfected for 10 minutes.
- Dry operations:** Plug in the power, in the standby mode, press the "DRY" mode (the drying time can be adjusted, the default is 40 minutes, each by a drying health increase to 10 minutes, up to 60 adjustable clock) again, "ON/OFF", begin to separate drying work.
- UV operations:** Plug in the power, in the standby mode, press the "UV" mode (sterilization time can be adjusted, the default is 5 minutes, each according to the disinfection key time for 5 minutes, most can be adjusted to 15 minutes), then the "ON/OFF", start disinfection work alone.
- Storage operation:** Plug in the power, press the "STORAGE" mode, the working time is 24 hours. (the countdown is zero, then exit automatically the storage function).

The special point is, when any one of the sterilizing, drying or automatic functions are finished, they will automatically turn to the 24 hours storage function.

- ON/OFF operation:** When the UV sterilizer is running, if it wants to terminate its work, touch the button "ON/OFF" of the UV sterilizer, and the product will immediately stop working and return to standby.

Tip: Can touch and change to other mode within 3 seconds after touch one mode otherwise the unit will automatically start working the initial chosen mode.

07

Selection of interrupt program

If the cleaning cabinet is in any work, the door of the cleaning cabinet is opened and the product will be suspended immediately. If the door is open for less than 3 minutes, when the cabinet door closes the cleaning cabinet, it will continue the working procedure just now. If the door is opened for more than 3 minutes, the cleaning cabinet will terminate any working procedure.

Instructions for the use of products

- In order to better dry the articles and put the articles in front of the baby bottle uv sterilizer and dryer, try to dry up the objects or wipe them with clean rag, and put the containers, bowls, utensils, containers and other containers upside down.
- The container of the baby bottle uv sterilizer and dryer is surrounded by reflective surfaces. It can make ultraviolet rays reflected and filled with the whole interior space, so as to ensure the greatest effect of disinfection. Therefore, please keep the cleanliness of the inner wall of the cleaning cabinet as clean as possible. If there is dirt, such as water trace, oil stain, and so on, wipe the wall of the container with a soft cloth.
- If you put new unidentified items into the baby bottle uv sterilizer and dryer, in order to avoid other items polluting the other things in the baby bottle uv sterilizer and dryer, we must dry and uv the work after the door is closed, or do a separate disinfection.
- Do not put food in baby bottle uv sterilizer and dryer for drying and sterilizing. This product has the function of heating and drying. When the air and metal are heated, there will be a hot and dry smell of metal similar to the disinfectant cupboard, which does not cause any harm to adults and children.
- If the power cord is damaged, it must be replaced with a special soft wire or a special component purchased from its manufacturer or maintenance department.

Reminder

In the work (AUTO / UV / DRY) state, each door is opened once, after closing the door within three minutes, the product will be sterilized for 1 minutes and then continue to run. The storage function will be automatically sterilized for 1 minutes and recountdown.

08

Thank you for your purchase of Legit baby bottle uv sterilizer and dryer!

In order to ensure that you better use the products and protect your rights and interests, please keep this user's manual, if there is a quality problem, please contact us as soon as possible.

Service commitment:

The quality problems caused by non-human factors, seven days replacement, the main components of one year warranty, life-long maintenance, warranty.

Matters needing attention:

- Baohuan warranty is limited to the host, and all kinds of packaging line and other accessories not Baohuan warranty.
- A new product can be replaced directly if there is a problem of equipment performance and no scratch in the appearance of the product in the week after the product is purchased.
- The warranty card and the corresponding invoice are required to be valid for the purchase certificate.
- If the above proof can not be shown, the warranty period of the product will be calculated from the date of its production.

Non warranty scope:

- Failure to install or use the resulting product damage in accordance with the instructions of its use.
- Beyond the limited warranty warranty is changed, deleted.
- Non warranty card and valid invoice and other purchase vouchers;
- Product bar code or serial number is modified, deleted;
- Products are disassembled or modified by the authorized personnel of the non-our company;
- Accident or human behavior causes damage to the product, such as improper input voltage, high temperature or break and so on
- Damage caused by transportation and loading and unloading during the return repair of the customer.
- Other irresistible natural forces, such as earthquakes, lightning, fire and other products, are damaged.

The final inspection and maintenance of this warranty is at Legit.

09

220*150

反面

正面

Legit PRODUCT WARRANTY EN

Ultraviolet cleaning cabinet (Inevitable related to its product)

Legit is obligated to the user. As of the date of purchase, this product provides a free product warranty in one year under the conditions of normal use in accordance with the instructions of its use. The serial number of this product is not damaged or removed. Product accessories are not included in the warranty.

Legit warranty service is effective under the following conditions:

- Products are only used for the intended use of the product.
- Product has regular maintenance in accordance with the requirements of its use.
- The serial number of this product is not damaged or removed.
- Product accessories are not included in the warranty.
- Required product accessories can be provided.
- The warranty service provided by Legit requires the user to show the product warranty card and a valid formal invoice certificate to purchase the product.

Legit refuses the warranty service in the following cases:

- Force majeure.
- Problems caused by external factors such as sun light, temperature, humidity, environmental pollution or other external influences.
- Abuse, misoperation or illegal damage.
- If the product is not used with product accessories, there is no warranty.

Legit reserves the following rights for the product warranty:

- The product must be returned when reporting or reporting with support the defective parts or the product.
- Legit has the right to inspect the product.
- If the product is repaired in a no longer product, we have the right to provide alternative products. Alternative products will be shown to the user.
- Our company reserves the right to modify and replace the above terms and conditions.

Legit Warranty card

Thank you for purchasing the company's products. Enjoy the warranty service please present this card and valid proof of purchase.

Product name	Product number
Name	Phone
E-mail	
Address	
County	City
Product	Purchase date
Model name	Model address

Repair records (if out by the repair unit)

Date	Content and treatment	Maintenance staff sign